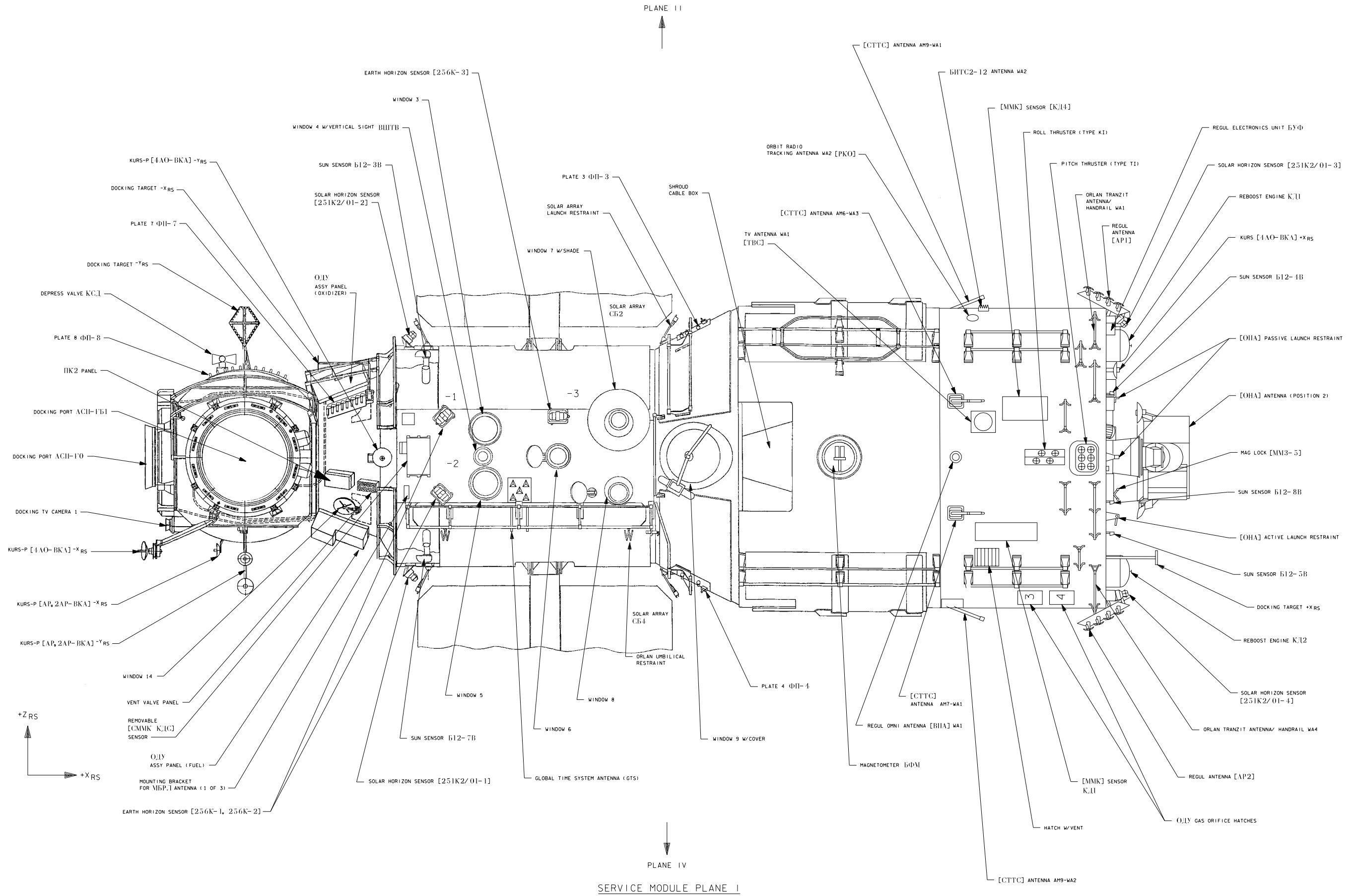


DATE:	04/06/00	NAME:	VSH	VERSION:	CHK 4
DATE:	05/23/00	NAME:	LAM	VERSION:	CHK 5
DATE:	06/12/00	NAME:	SVJ	VERSION:	CHK 6



NOTES: 1. THIS DRAWING IS BEING UPDATED IN CONJUNCTION WITH THE STS-106 EVA CHECKLIST. THIS DRAWING IS BASED ON DRAWING NUMBER 4802401.101.ART

SIGNATURE	DATE	NATIONAL AERONAUTICS AND SPACE ADMINISTRATION LYNN B. JOHNSON SPACE CENTER HOUSTON, TEXAS	
DR	06/22/99	SM EXTERNAL LAYOUT (PLANE I)	
ENGR M. BOGGS			
ENGR			
APP			
DWG NO	2.1		
APP	DBSH	DWG NO	2.1
CAD	1551R		
LTR	PCN	66 X 34	SHEET 1 OF 1