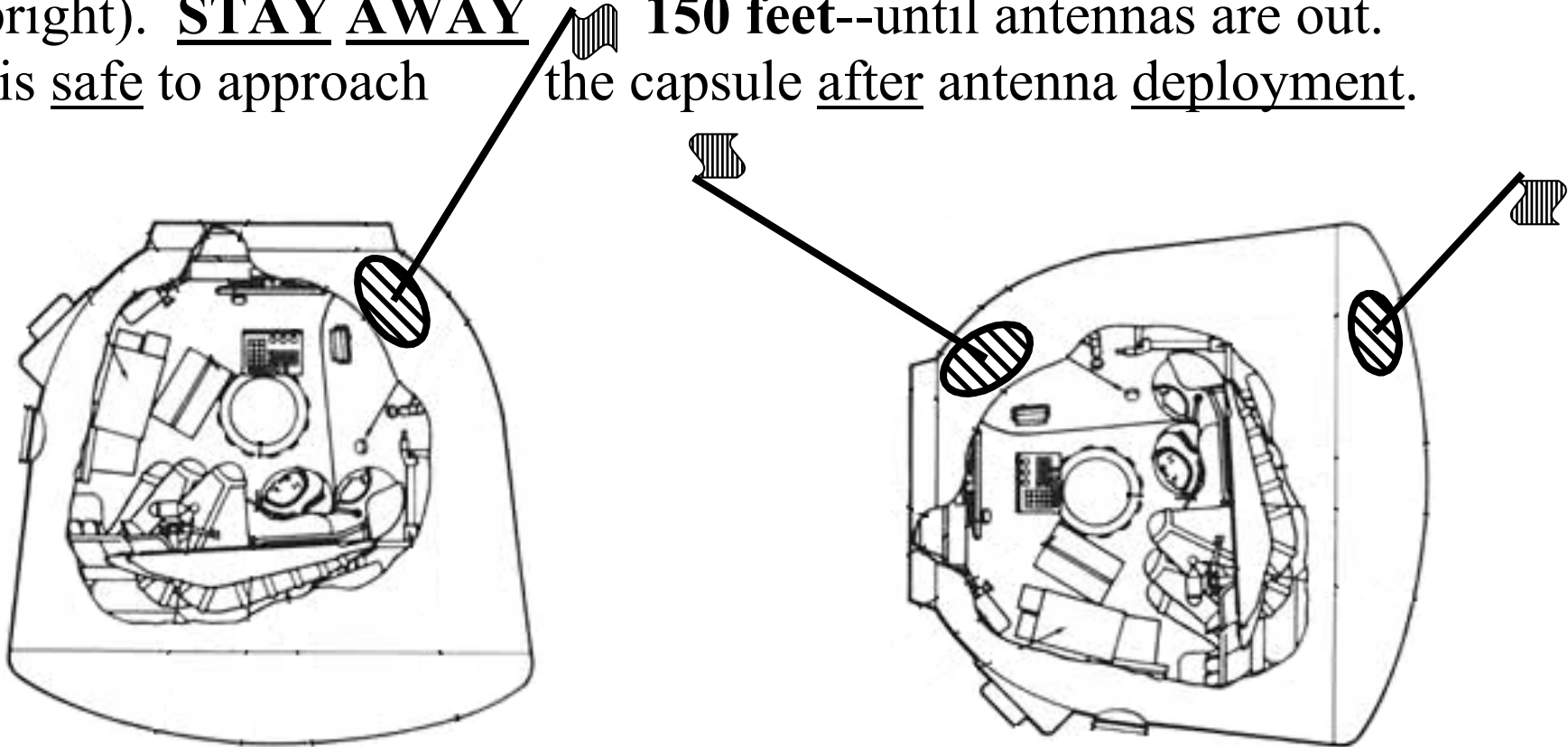


# Soyuz Capsule Antenna Deployment HAZARD

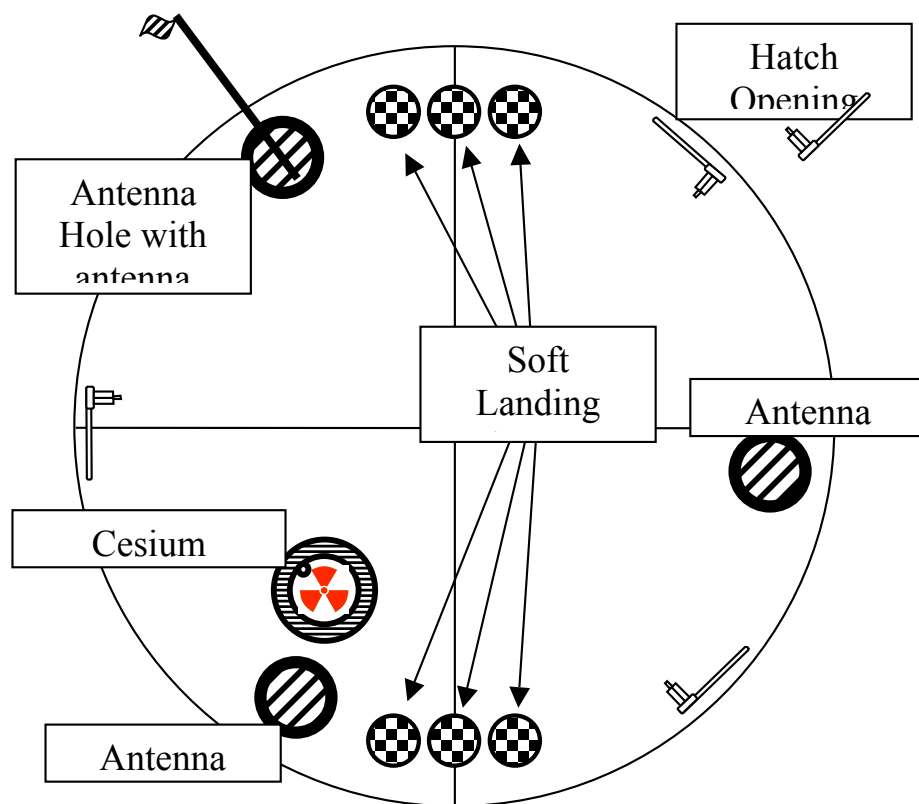
Approximately 10 minutes after the Soyuz capsule lands, antennas will deploy from the top (and also bottom if the capsule is not upright). **STAY AWAY** 150 feet--until antennas are out. It is safe to approach the capsule after antenna deployment.



# NATIONAL EMERGENCY

## Soyuz Capsule BOTTOM Diagram and Associated HAZARDS

Slide  
# 2



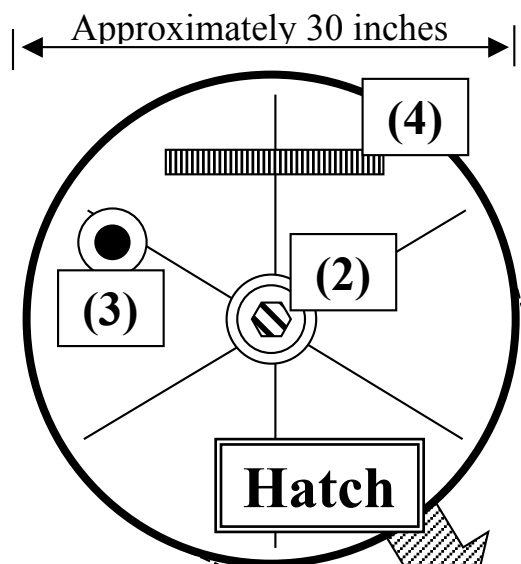
**Antenna Cover-** If the Soyuz capsule is on its side--Approximately 10 minutes after landing , one of the three bottom antennas will deploy automatically.  
**STAY CLEAR of bottom--150 feet** away until antenna is out. After one deploys, others are safe if capsule roll isn't required.

**Cesium Altimeter-** is a very LOW LEVEL radiation hazard.  
**STAY CLEAR--15 foot** radius from bottom. There is no hazard on sides or top. Remove Hatch Opening Tool by reaching around from the side of the capsule bottom If Soyuz capsule is upright, there is no hazard.

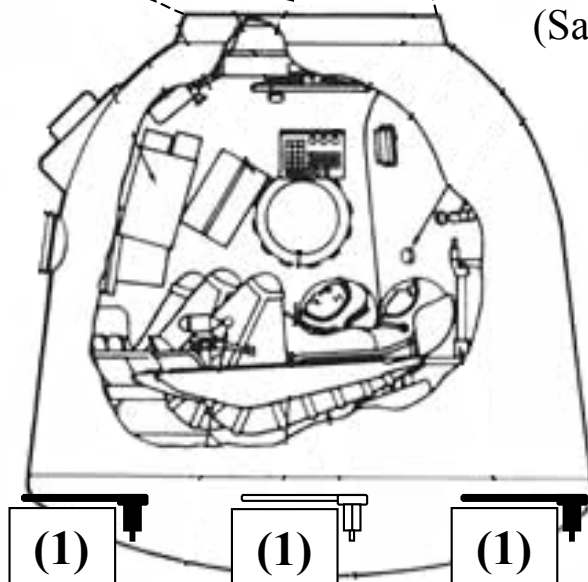
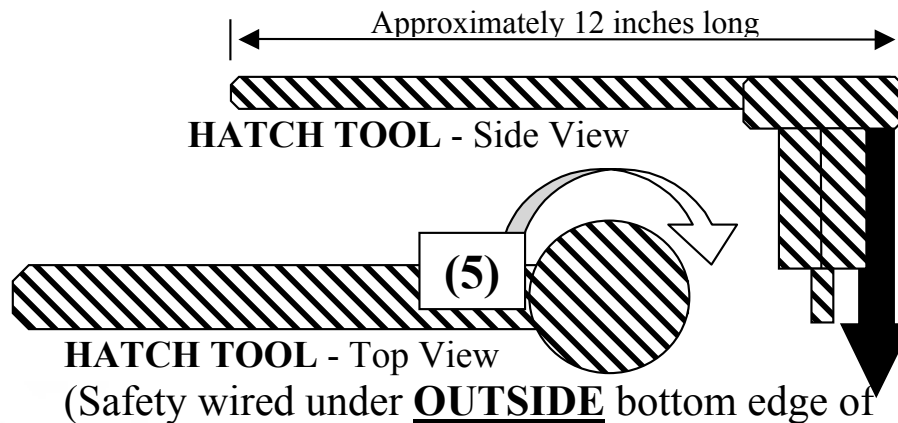
**Soft Landing Thrusters-**  
Depending on which parachute is used, 4 or all 6 thrusters will have fired about 3 feet above the ground.  
They pose NO HAZARD once the capsule has landed.

# NATIONAL EMERGENCY

Slide  
# 3



## Soyuz Capsule HATCH Opening



- Remove 1 of the 3 tools located at (1) or find it if detached during landing
- Push tool into hatch center hole at (2)
- Press BLACK BUTTON (3) until noise stops
- Hold strap (4) to keep hatch from falling in
- Turn hatch tool CLOCKWISE to OPEN (5)
- NOTE: Hatch will open in after 180 degree turn